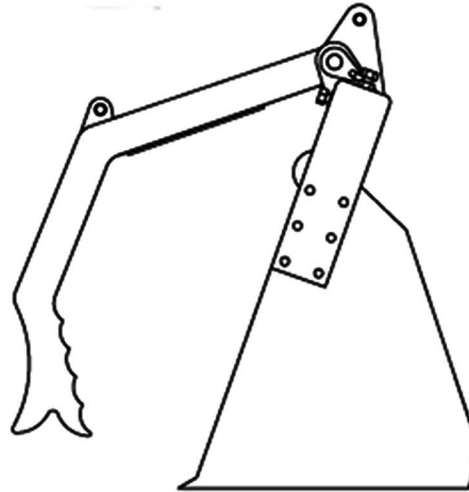
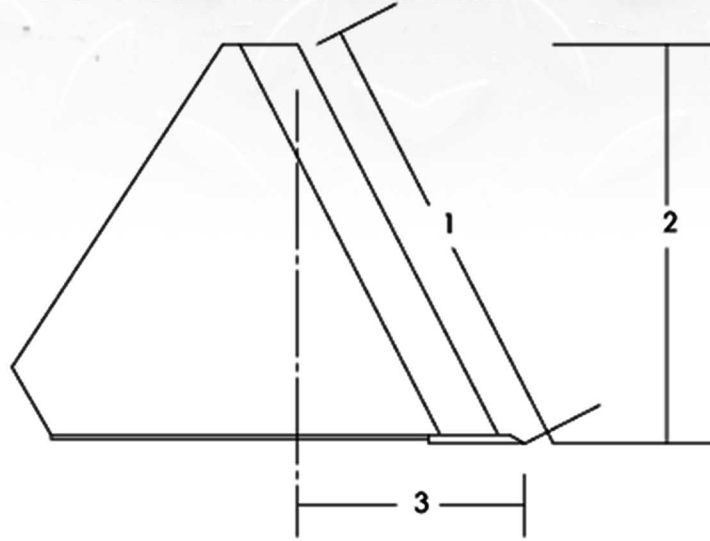


**BUCKET SPECIFICATIONS
FOR BUCKET GRAPPLE**

509-684-1



	DESCRIPTION FOR MEASUREMENTS	INCHES
1	FROM THE TIP OF CUTTING EDGE TO TOP CORNER	
2	FROM THE GROUND TO THE TOP OF THE BUCKET	
3	FROM TOP CORNER STRAIGHT FORWARD TO CUTTING EDGE	
4	OVERALL WIDTH OF BUCKET, OUTSIDE TO OUTSIDE	

All items are subject to change without notice.
ANBO's Standard 1 year parts and labor warranty are included.
No other warranties are implied.

*** ALL MEASUREMENTS ARE APPROXIMATE**

manufactured by:



ANBO Manufacturing
685 Elm Tree Drive
Colville, WA 99114
1-866-684-3330
1-509-684-3330
Fax 1-509-684-1997

www.anbomanufacturing.com

